

Industrial Ergonomics

612-532-6774

jeff@Industrial-Ergonomics.com



ergotron
HEALTHCARE





***We are devoted to
helping caregivers thrive.***

For more than 35 years, Ergotron has eliminated constraints in healthcare by offering dynamic, ergonomic solutions that move caregivers. Highly customizable, our designs fit more people, workflows and environments.



Modern designs,
uninhibited mobility and
personalized features
enable caregiver
well-being, memorable
patient experiences and
life-changing care.

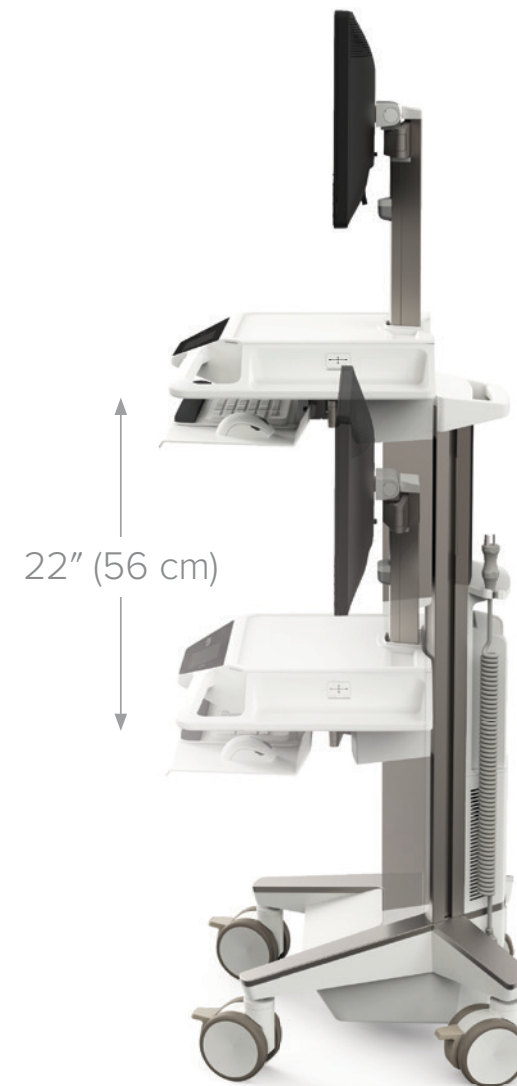


CAREFIT™



CareFit Pro

*Innovative design
for every shift*



Full-featured

- Expansive height-adjustment range
- Fully-enclosed technology and cabling
- Built-in hot swap battery capability
- Multiple accessories fit your workflows



Intuitive dashboard
fits your workflow

otron

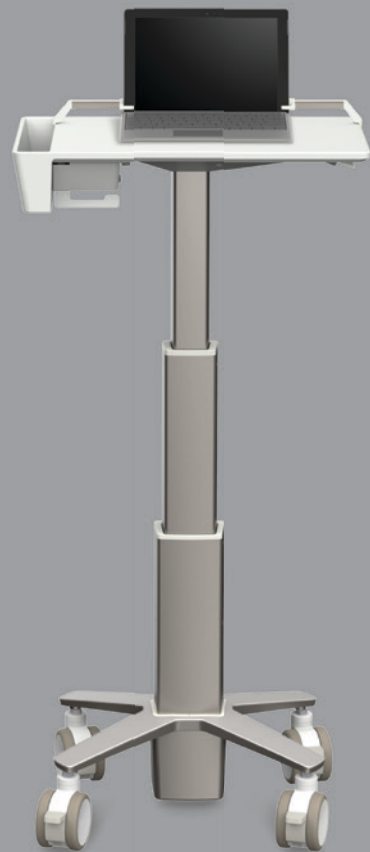
CareFit Pro



Versatile access
and storage

Customizable drawer
configurations
for seamless care

CAREFIT™

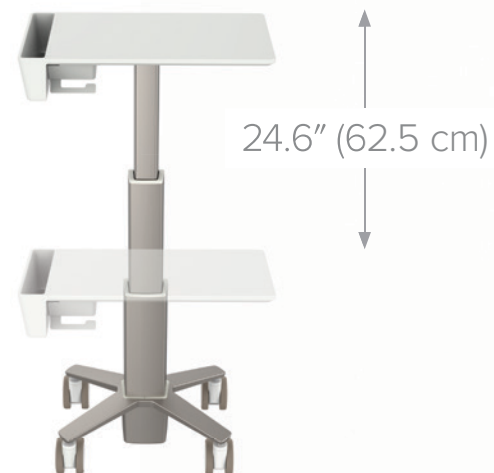


CareFit Slim Laptop



CareFit Slim LCD 2.0

*Your documentation
companion*



Ultra-lean

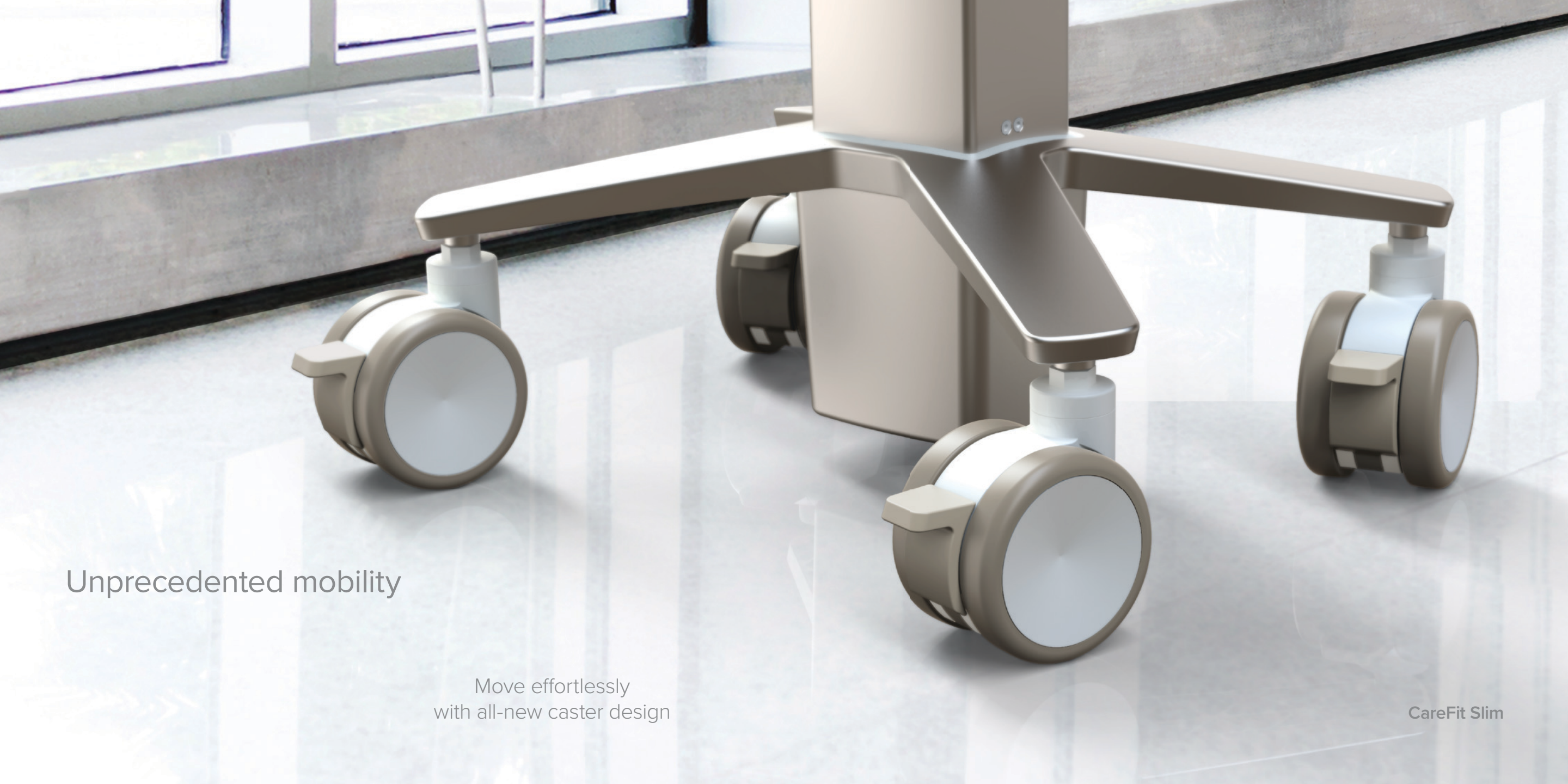
Small footprint
Lightweight
Expansive height-adjustment range
Customizable options for power, scanner,
printer, wipes and more





CareFit Slim

Lean and customizable design inspired
by caregiver insights



Unprecedented mobility

Move effortlessly
with all-new caster design

CareFit Slim

LiFeKinnex™



LiFeKinnex Power System



LiFeKinnex
245Wh battery



*Say goodbye
to power anxiety*

A charging workflow
you can count on



LiFeKinnex 4-Bay Charger
(Desktop)

Keep tabs on battery life
with the light bar indicator



LiFeKinnex 4-Bay Charger
(Wall-mounted)

eKinnex™

Secure, web-based software

Seamless management

Helps increase cart uptime

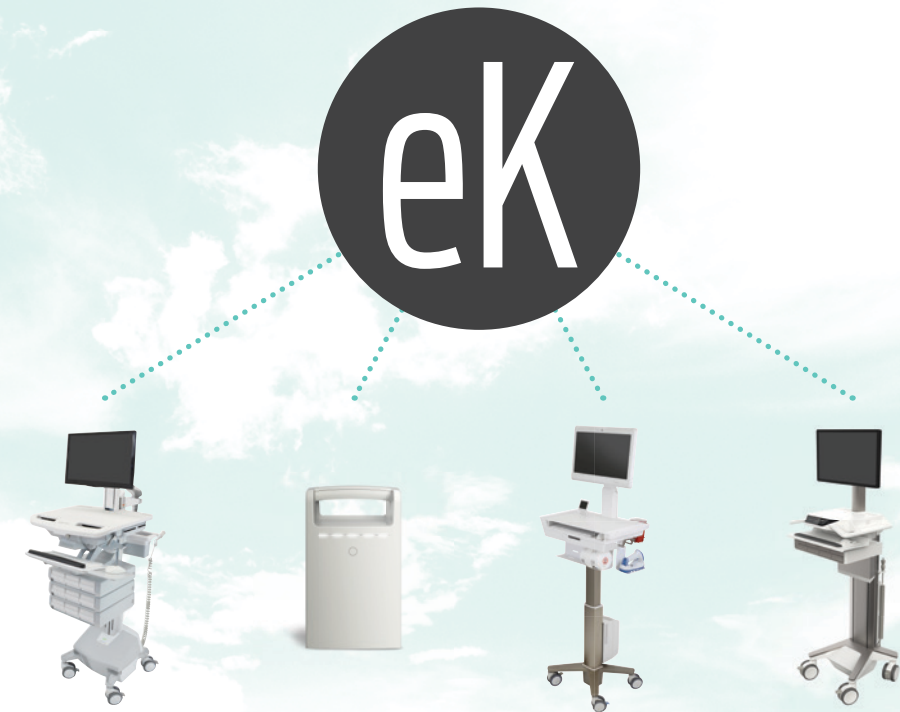
Real-time insight into usage patterns, drawer access, battery charge/life and more

Software operates separately from patient records

Fast implementation

eKinnex Cloud-Based Software

Cloud-based fleet management



CAREFIT™



CareFit Low Profile Wall Enclosure



*Low-profile design
enhances healing spaces*

Woodgrain options to match your space:



Walnut Heights



Fonhill Pear



Phantom Ecrú



Phantom Cocoa



Wild Cherry



Manitoba Maple

WORKFIT™



WorkFit Elevate™

*Elevate the documentation
experience*



STYLEVIEW™

Tailored workflow solutions

Combining several of our products into specialized, expert solutions delivers what you need in each application for patient-centered care

Registration

Thoughtful features make registration efficient and comfortable

Phlebotomy

Height-adjustable, mobile design keeps supplies at the ready

Tailored solutions



Registration cart

Phlebotomy cart

STYLEVIEW™



SV Combo Arm with Worksurface & Pan

*Support
meaningful
patient
interactions*

Monitor moves up to 180°
to easily share information with patients
or colleagues



Work sitting or standing with everything
caregivers need at their fingertips

Certified Service

We don't just stand behind our products—
we stand behind you

Available services:

Installation and integration

Next business day on-site service

Preventive maintenance

Extended warranties

In-warranty and post-warranty repairs

In-depth on-site product training

Equipment audit and health check





moving you forward

Using human-centered design principles and the technology of movement, we build environments that help people thrive.

ergotron.com/carefit

ergotron®

Industrial Ergonomics

612-532-6774

jeff@Industrial-Ergonomics.com

