

UNIVERSAL STORAGE SOLUTIONS

SHEETMASTER 100



GLIDE-OUT 100



MODULAR CABINETS



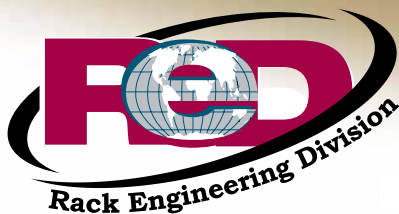
SPECIALTY PRODUCTS



CRANK-OUT CANTILEVER



WORKBENCHES



Industrial Ergonomics®

612-532-6774

sales@Industrial-Ergonomics.com



TABLE OF CONTENTS

SMALL PARTS MODULAR CABINET STORAGE



Ultra-Line Preconfigured	4-7
Standard (STD) - 30" Wide	8-9
Cabinet-and-a-Half-Wide (CHW) - 45" Wide	10-11
Double Wide (DW) - 60" Wide	12-13
Accessories	14-15
Numbering System	16
Quoting Worksheet	17

MODULAR WORKSTATIONS



Description	18-19
Options	20-21
Quoting Worksheet and Top Options	22

STAINLESS STEEL PRODUCTS



Carts, Racking, Cabinets 23-24



HEAVY DIE, MOLD, FIXTURE STORAGE AND RETRIEVAL

- Glide-Out 100 25
- Glide-Out 100 - Industries Served 26
- Glide-Out 100 - Cost Justification 27
- Glide-Out 100 - Ergonomics 28-29
- Glide-Out 100 - Quoting Worksheet 31
- Crank-Out Glide-Out - Heavy Duty Storage 32
- Crank-Out Glide-Out - Quoting Worksheet 33



SHEETMETAL STORAGE AND RETRIEVAL - SHEETMASTER

- Description 34
- Folding Sheetmaster 35
- Cost Justification 36
- Quoting Worksheet 37



BAR, PIPE, EXTRUSION STORAGE AND RETRIEVAL - CRANK-OUT CANTILEVER

- Description and Industries Served 38-39
- Accessories 40
- Quoting Worksheet 41



SPECIALTY PRODUCTS

- From Concept to Reality 42-46
- Paint and Coating Information 47



NU-ERA[®] ULTRA-LINE SERIES

Nu-Era cabinets have heavy duty quality with an excellent price! We have multiple drawer options and 10 housing options to accommodate the majority of configurations asked for by customers.

We provide the fastest delivery in the industry for a custom cabinet.



SMALL PARTS MODULAR CABINET STORAGE

NU-ERA® ULTRA-LINE SERIES

PRE-CONFIGURED MODULAR DRAWER CABINETS

SMALL PARTS MODULAR CABINET STORAGE

Drawer Layout		
UL-EL-1	STD	CHW
9	19	69
12	19	69
12	19	69
12	20	70
12	20	70
12	20	70
Total Drawer Compartments		
6 Drawer		
63 — 99		

Drawer Layout		
UL-EL-2	STD	CHW
7	19	69
7	19	69
7	19	69
12	19	69
12	19	69
12	20	70
12	20	70
Total Drawer Compartments		
7 Drawer		
78—120		

Drawer Layout		
UL-EL-3	STD	CHW
9	30	80
9	30	80
9	19	69
9	19	69
9	20	70
12	20	71
12	20	73
Total Drawer Compartments		
7 Drawer		
75—121		

Drawer Layout		
UL-EL-4	STD	CHW
5	30	80
7	30	80
9	19	69
9	19	69
9	20	70
9	20	70
9	20	70
12	20	70
Total Drawer Compartments		
8 Drawer		
84—136		

Drawer Layout		
UL-EL-5	STD	CHW
5	17	67
7	18	68
7	18	68
7	30	80
7	19	69
12	20	70
12	20	70
12	20	70
Total Drawer Compartments		
8 Drawer		
103—161		

Drawer Layout		
UL-EL-6	STD	CHW
4	17	67
4	18	68
5	18	68
7	30	80
7	30	80
9	19	69
9	20	70
12	20	70
12	20	70
Total Drawer Compartments		
9 Drawer		
115—181		

Drawer Layout		
UL-EL-7	STD	CHW
4	17	67
5	17	67
5	18	68
7	18	68
9	30	80
9	19	69
9	20	70
9	20	70
12	20	70
Total Drawer Compartments		
9 Drawer		
123—191		

Drawer Layout		
UL-EL-8	STD	CHW
4	17	67
5	17	67
5	18	68
7	18	68
7	30	80
7	19	69
7	19	69
9	20	70
9	20	70
9	20	70
Total Drawer Compartments		
10 Drawer		
135—209		

Drawer Layout		
UL-EL-9	STD	CHW
4	17	67
4	17	67
5	18	68
5	18	68
5	30	80
7	19	69
9	19	69
9	20	70
9	20	70
12	20	70
Total Drawer Compartments		
10 Drawer		
135—209		

Drawer Layout		
UL-EL-10	STD	CHW
4	17	67
4	17	67
5	17	67
5	18	68
5	18	68
5	30	80
7	19	69
7	19	69
9	20	70
9	20	70
9	20	70
Total Drawer Compartments		
11 Drawer		
155—239		

Drawer Layout		
UL-EL-11	STD	CHW
4	17	67
4	17	67
4	17	67
4	17	67
5	18	68
7	18	68
7	30	80
7	30	80
9	19	69
9	20	70
9	20	70
Total Drawer Compartments		
11 Drawer		
166—256		

Drawer Layout		
UL-EL-12	STD	CHW
4	17	67
4	17	67
4	17	67
5	17	67
5	18	68
5	18	68
7	30	80
7	19	69
7	19	69
7	20	70
7	20	70
7	20	70
Total Drawer Compartments		
12 Drawer		
175—269		

Drawer Layout		
UL-EL-13	STD	CHW
5	17	67
5	18	68
5	18	68
5	30	80
5	18	68
5	18	68
5	30	80
5	30	80
5	30	80
5	30	80
5	19	69
5	19	69
7	20	70
7	20	70
Total Drawer Compartments		
13 Drawer		
174—272		

Drawer Layout		
UL-EL-14	STD	CHW
4	17	67
5	17	67
5	17	67
5	18	68
5	18	68
5	18	68
5	30	80
5	30	80
5	30	80
5	30	80
5	30	80
5	30	80
5	30	80
5	30	80
5	30	80
Total Drawer Compartments		
14 Drawer		
204—322		

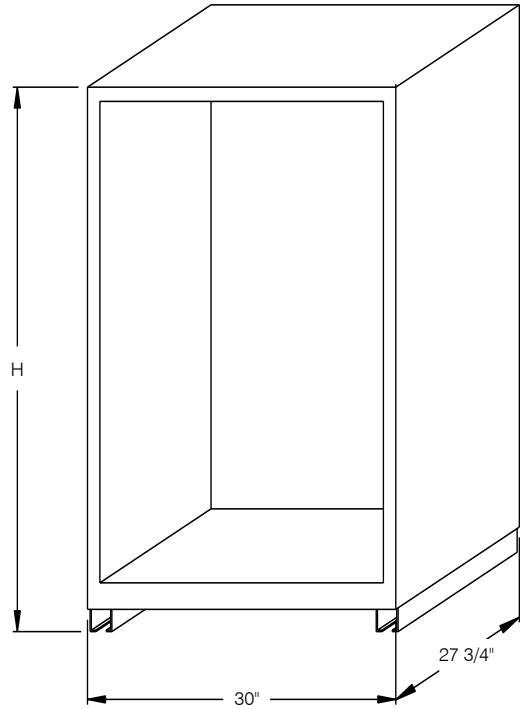
Drawer Layout		
UL-EL-15	STD	CHW
4	17	67
4	17	67
4	17	67
4	17	67
4	17	67
4	18	68
4	18	68
4	18	68
4	18	68
4	18	68
4	30	80
4	30	80
5	19	69
7	20	70
9	20	71
Total Drawer Compartments		
15 Drawer		
234—358		

Drawer Layout		
UL-EL-16	STD	CHW
4	17	67
4	17	67
4	17	67
4	17	67
4	18	68
4	18	68
4	18	68
4	18	68
4	20	80
4	20	80
4	20	80
4	20	80
4	20	80
4	20	80
4	20	80
4	20	80
5	20	80
Total Drawer Compartments		
17 Drawer		
225—396		

SMALL PARTS MODULAR CABINET STORAGE

STANDARD WIDTH 30"

The Nu-Era Standard Width (STD) modular cabinet is generally accepted as the industry standard. These units are used in thousands of different applications for secure containment and organization of small parts and tools. Applications vary from tool crib and maintenance parts storage (using full height and counter height sizes), to workbench storage in tool rooms. Nu-Era offers many drawer depths, cabinet heights, drawer interiors and accessories, to allow a custom fit for your application.



CABINET

CABINET

Model Number	Appx.* Weight lbs.	Overall Height "H" **	Width	Depth	Weight Capacity
STD-28	100	29-1/8	30"	27-3/4"	1400
STD-32	105	32-1/8	30"	27-3/4"	1600
STD-36	110	35-1/8	30"	27-3/4"	2000
STD-50	125	46-1/8	30"	27-3/4"	2500
STD-69	155	61-1/8	30"	27-3/4"	4000

* Add appx. 50 lbs. to each unit for packing.

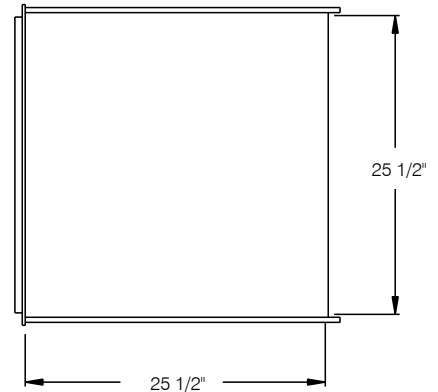
** Subtract 2 1/8" and 15 lb. for units without pick-up base.

DRAWER

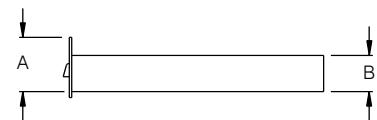
Model Number	Usable Height "A"	Body Height "B"	Load Capacity *	Appx. Weight ***
STD- 4	2-3/8"	2-1/8"	450 lb.	32 lbs.
STD- 5	3-1/4"	2-1/8"	450 lb.	33 lbs.
STD- 6	4"	3-1/8"	450 lb.	48 lbs.
STD- 7	4-3/4"	3-1/8"	450 lb.	49 lbs.
STD- 8	5-5/8"	4-3/4"	450 lb.	53 lbs.
STD- 9	6-3/8"	4-3/4"	450 lb.	54 lbs.
STD-10	7-1/4"	6-1/4"	450 lb.	55 lbs.
STD-12	8-3/4"	6-1/4"	450 lb.	57 lbs.
STD-13	9-1/2"	6-1/4"	450 lb.	58 lbs.
STD-14	10-1/2"	6-1/4"	450 lb.	59 lbs.
STD-16	12"	6-1/4"	450 lb.	60 lbs.
STD-18	13-5/8"	6-1/4"	450 lb.	62 lbs.
STD-20	15-1/8"	6-1/4"	450 lb.	64 lbs.
STD-24	18-5/16"	6-1/4"	450 lb.	68 lbs.

* Capacities stated for uniform loading without partitions installed.

*** Drawer weights include drawer carriage and rails.



DRAWER



STD MODULAR DRAWER LAYOUTS

STD LAYOUT #23

(4) Compartments
12 1/4 x 12 1/2

(1) 00045 Partitions
(2) -17 Dividers
(2) Screws

STD LAYOUT #20

(9) Compartments
7 3/4 x 8 1/4

(2) 00046 Partitions
(4) -11 Dividers
(2) -12 Dividers
(4) Screws

STD LAYOUT #30

(12) Compartments
6 x 7

(2) 00046 Partitions
(3) -10 Dividers
(6) -12 Dividers
(4) Screws

STD LAYOUT #19

(12) Compartments
5 1/2 x 8 1/4

(3) 00046 Partitions
(4) -8 Dividers
(4) -9 Dividers
(6) Screws

STD LAYOUT #27

(15) Compartments
4 x 7 1/2

(4) 00046 Partitions
(6) -6 Dividers
(4) -8 Dividers
(8) Screws

STD LAYOUT #18

(16) Compartments
5 1/2 x 6

(3) 00046 Partitions
(6) -8 Dividers
(6) -9 Dividers
(6) Screws

STD LAYOUT #5

(16) Compartments
1/2 x 12 1/2

(7) 00046 Partitions
(6) -4 Dividers
(2) -5 Dividers
(14) Screws

STD LAYOUT #9

(18) Compartments
3 1/4 x 8 1/4

(5) 00046 Partitions
(8) -5 Dividers
(4) -7 Dividers
(10) Screws

STD LAYOUT #17

(20) Compartments
5 1/2 x 4 1/2

(3) 00046 Partitions
(8) -8 Dividers
(8) -9 Dividers
(5) Screws

STD LAYOUT #13

(20) Compartments
4 x 6

(4) 00046 Partitions
(9) -6 Dividers
(6) -8 Dividers
(8) Screws

STD LAYOUT #8

(24) Compartments
3 1/4 x 6

(5) 00046 Partitions
(12) -5 Dividers
(6) -7 Dividers
(10) Screws

STD LAYOUT #4

(24) Compartments
2 1/2 x 8 1/4

(7) -3 Partitions
(12) -4 Dividers
(4) -5 Dividers
(14) Screws

STD LAYOUT #14

(25) Compartments
4 x 4 1/2

(4) 00046 Partitions
(12) -6 Dividers
(8) -8 Dividers
(8) Screws

STD LAYOUT #7

(30) Compartments
3 1/4 x 4 1/2

(5) 00046 Partitions
(16) -5 Dividers
(8) -7 Dividers
(10) Screws

STD LAYOUT #16

(32) Compartments
5 1/2 x 3

(3) 00046 Partitions
(14) -8 Dividers
(14) -9 Dividers
(6) Screws

STD LAYOUT #3

(32) Compartments
2 1/2 x 6

(7) 00046 Partitions
(18) -4 Dividers
(6) -5 Dividers
(14) Screws

STD LAYOUT #29

(36) Compartments
3 1/4 x 3 3/4

(5) 00046 Partitions
(20) -5 Dividers
(10) -7 Dividers
(10) Screws

STD LAYOUT #15

(40) Compartments
4 x 3

(4) 00046 Partitions
(21) -6 Dividers
(14) -8 Dividers
(8) Screws

STD LAYOUT #2

(40) Compartments
2 1/2 x 4 1/2

(7) 00046 Partitions
(24) -4 Dividers
(8) -5 Dividers
(14) Screws

STD LAYOUT #6

(48) Compartments
3 1/4 x 3

(5) 00046 Partitions
(28) -5 Dividers
(14) -7 Dividers
(10) Screws

STD LAYOUT #28

(48) Compartments
2 1/2 x 3 3/4

(7) 00046 Partitions
(30) -4 Dividers
(10) -5 Dividers
(14) Screws

STD LAYOUT #1

(64) Compartments
2 1/2 x 3

(7) 00046 Partitions
(42) -4 Dividers
(14) -5 Dividers
(14) Screws

STD LAYOUT #33

(48) Plastic Bins
2 3/16 x 3 x 4

(1) 00046 Partition
(48) Model 482 Bins
(2) Screws

STD LAYOUT #34

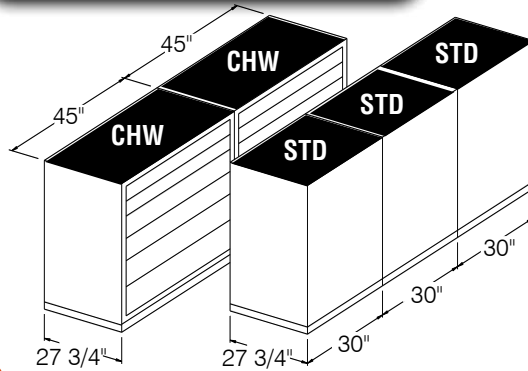
(96) Plastic Bins
2 3/16 x 2 x 3

(1) 00046 Partition
(96) Model 962 Bins
(2) Screws

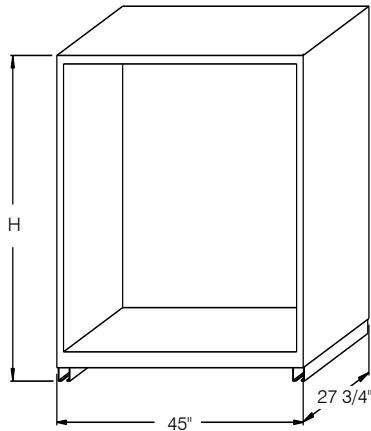
SMALL PARTS MODULAR CABINET STORAGE

CABINET-AND-A-HALF WIDTH 45"

CHW ADVANTAGE



The Nu-Era Cabinet-and-a-Half (CHW) series of wider modular drawer cabinets, offers many advantages over the standard 30" units. Two CHW units take up the same floor space as three standard cabinets, offer a much greater interior volume and are typically less expensive. CHW units are the best value in modular cabinets.



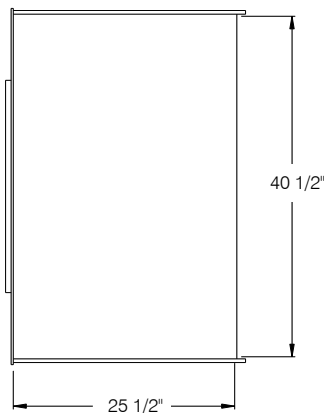
CABINET

CABINET

Model Number	Appx.* Weight lbs.	Overall Height "H" **	Width	Depth	Weight Capacity
CHW-28	115	29-1/8	45"	27-3/4"	2200
CHW-32	130	32-1/8	45"	27-3/4"	2400
CHW-36	140	35-1/8	45"	27-3/4"	3000
CHW-50	190	46-1/8	45"	27-3/4"	4000
CHW-69	230	61-1/8	45"	27-3/4"	6000

* Add appx. 65 lbs. to each unit for packing.

** Subtract 2 1/8" and 15 lb. for units without pick-up base.



DRAWER

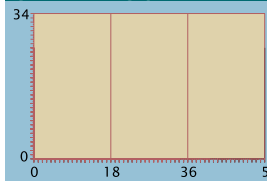
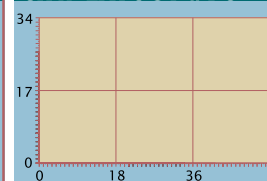
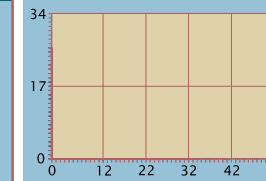
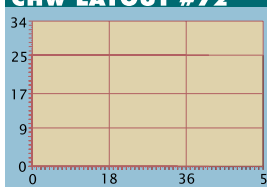
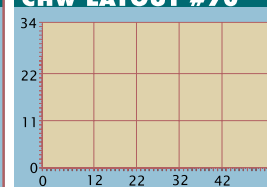
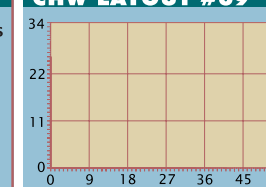
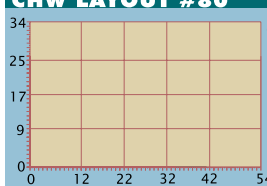
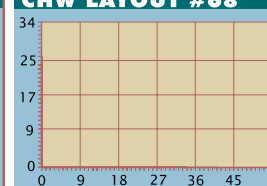
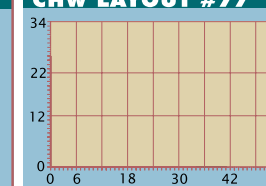
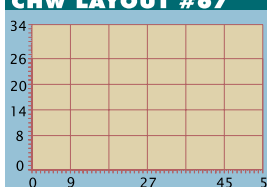
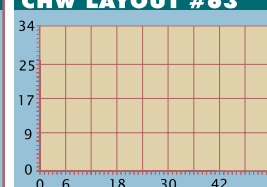
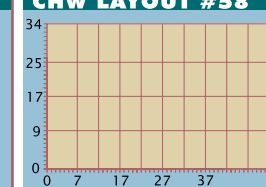
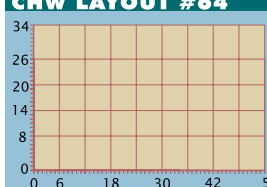
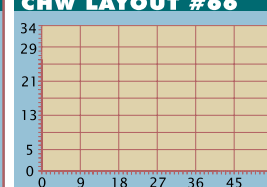
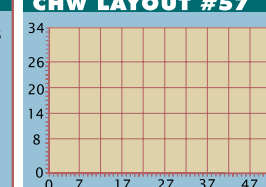
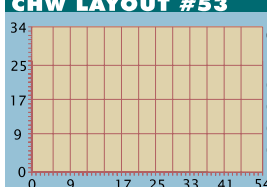
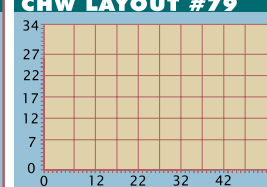
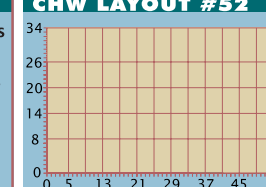
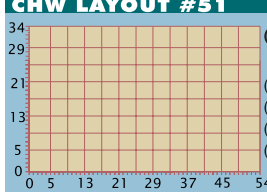
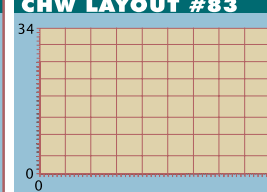
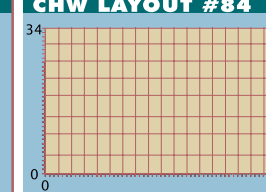
DRAWER

Model Number	Usable Height "A"	Body Height "B"	Load Capacity *	Appx. Weight ***
CHW- 4	2-3/8"	2-1/8"	450 lb.	48 lbs.
CHW- 5	3-1/4"	2-1/8"	450 lb.	49 lbs.
CHW- 6	4"	3-1/8"	450 lb.	55 lbs.
CHW- 7	4-3/4"	3-1/8"	450 lb.	56 lbs.
CHW- 8	5-5/8"	4-3/4"	450 lb.	60 lbs.
CHW- 9	6-3/8"	4-3/4"	450 lb.	62 lbs.
CHW-10	7-1/4"	6-1/4"	450 lb.	65 lbs.
CHW-12	8-3/4"	6-1/4"	450 lb.	68 lbs.
CHW-13	9-1/2"	6-1/4"	450 lb.	69 lbs.
CHW-14	10-1/2"	6-1/4"	450 lb.	71 lbs.
CHW-16	12"	6-1/4"	450 lb.	73 lbs.
CHW-18	13-5/8"	6-1/4"	450 lb.	76 lbs.
CHW-20	15-1/8"	6-1/4"	450 lb.	78 lbs.
CHW-24	18-5/16"	6-1/4"	450 lb.	84 lbs.

*Capacities stated for uniform loading without partitions installed.

***Drawer weights include drawer carriage and rails.

CHW MODULAR DRAWER LAYOUTS

<p>CHW LAYOUT #74</p>  <p>(3) Compartments 13 x 25 (2) 00046 Partitions (4) Screws</p>	<p>CHW LAYOUT #73</p>  <p>(6) Compartments 13 x 12 1/2 (2) 00046 Partitions (3) -18 Dividers (4) Screws</p>	<p>CHW LAYOUT #71</p>  <p>(10) Compartments 7 x 12 1/2 (4) 00046 Partitions (3) -10 Dividers (2) -12 Dividers (8) Screws</p>
<p>CHW LAYOUT #72</p>  <p>(12) Compartments 13 x 6 (2) 00046 Partitions (9) -18 Dividers (4) Screws</p>	<p>CHW LAYOUT #70</p>  <p>(15) Compartments 7 x 8 1/4 (4) 00046 Partitions (6) -10 Dividers (4) -12 Dividers (8) Screws</p>	<p>CHW LAYOUT #69</p>  <p>(18) Compartments 5 1/2 x 8 1/4 (5) 00046 Partitions (12) -9 Dividers (10) Screws</p>
<p>CHW LAYOUT #80</p>  <p>(20) Compartments 6 x 7 (4) 00046 Partitions (9) -10 Dividers (6) -12 Dividers (8) Screws</p>	<p>CHW LAYOUT #68</p>  <p>(24) Compartments 5 1/2 x 6 (5) 00046 Partitions (18) -9 Dividers (10) Screws</p>	<p>CHW LAYOUT #77</p>  <p>(27) Compartments 4 x 7 1/2 (8) 00046 Partitions (18) -6 Dividers (16) Screws</p>
<p>CHW LAYOUT #67</p>  <p>(30) Compartments 5 1/2 x 4 1/2 (5) 00046 Partitions (24) -9 Dividers (10) Screws</p>	<p>CHW LAYOUT #63</p>  <p>(36) Compartments 4 x 6 (8) 00046 Partitions (27) -6 Dividers (16) Screws</p>	<p>CHW LAYOUT #58</p>  <p>(40) Compartments 3 1/4 x 6 (9) 00046 Partitions (24) -5 Dividers (7) -7 Dividers (18) Screws</p>
<p>CHW LAYOUT #64</p>  <p>(5) Compartments 4 x 4 1/2 (8) 00046 Partitions (36) -6 Dividers (45) Screws</p>	<p>CHW LAYOUT #66</p>  <p>(48) Compartments 5 1/2 x 3 (5) 00046 Partitions (42) -9 Dividers (10) Screws</p>	<p>CHW LAYOUT #57</p>  <p>(50) Compartments 3 1/4 x 4 1/2 (9) 00046 Partitions (32) -5 Dividers (8) -7 Dividers (18) Screws</p>
<p>CHW LAYOUT #53</p>  <p>(52) Compartments 2 1/2 x 6 (12) 00046 Partitions (33) -4 Dividers (6) -5 Dividers (24) Screws</p>	<p>CHW LAYOUT #79</p>  <p>(60) Compartments 3 1/4 x 3 3/4 (9) 00046 Partitions (40) -5 Dividers (10) -7 Dividers (18) Screws</p>	<p>CHW LAYOUT #52</p>  <p>(66) Compartments 2 1/2 x 4 1/2 (12) 00046 Partitions (44) -4 Dividers (8) -5 Dividers (24) Screws</p>
<p>CHW LAYOUT #51</p>  <p>(104) Compartments 2 1/2 x 3 (12) 00046 Partitions (77) -4 Dividers (14) -5 Dividers (24) Screws</p>	<p>CHW LAYOUT #83</p>  <p>(72) Compartments 3 x 4 (2) 00046 Partitions (3) -18 Dividers (72) #482 Plastic Bins (4) Screws</p>	<p>CHW LAYOUT #84</p>  <p>(144) Compartments 2 x 3 (2) 00046 Partitions (3) -18 Dividers (144) #962 Plastics Bins (4) Screws</p>

CABINET ACCESSORIES

Maximize your storage space with Rack Engineering Division's accessories to customize your application.



Rubber Matting
(shown here)
Other Options:
Felt
Profiling Foam
Stainless Insert
Rubber Mesh



KRU-2 Lock with keys



Rigid Caster



Dolly Pan with Casters

Swivel Caster with Brake

Plastic Bins



Plastic End Cap

Padlock

Lock Bar

Push Bar

Maple Top (see top options on page 22)



Drawer Divider



Drawer Partition

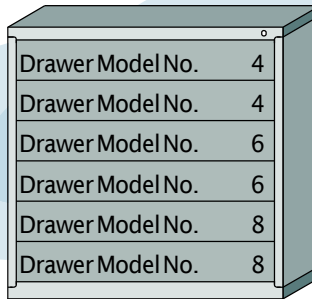


Aluminum Handle with Paper Label and Plastic Label Cover

SMALL PARTS MODULAR CABINET STORAGE

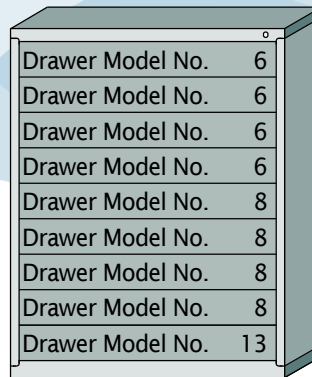
NU-ERA® MODULAR DRAWER NUMBERING SYSTEM

Rack Engineering Division has a basic numbering method to help you design your Nu-Era Modular Drawer System. Each drawer is assigned a standard model number (4, 5, 6, 7, 8, 9, 10, 12, 13, 14, 16, 18, 20, 24). Each housing is also assigned a standard model number (28, 32, 36, 50, 69). To properly configure your Nu-Era Modular Drawer System, the sum of your drawer model numbers must add up to your housing model number. If you do not arrive at a standard housing number, you may have to add, remove or change the size of a drawer, or choose another of the five standard housing sizes.



Housing Model No. 36

Example:
Housing Model No. 36 will hold a total of
(2) Model Number 4 drawers,
(2) Model Number 6 drawers and
(2) Model Number 8 drawers.
The drawers add up to 36, which matches the housing model number.



Housing Model No. 69

Example:
Housing Model No. 69 will hold a total of
(4) Model Number 6 drawers,
(4) Model Number 8 drawers and
(1) Model Number 13 drawer.
The drawers add up to 69, which matches the housing model number.

no time in job

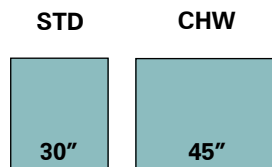
MODULAR DESIGN FITS SMALL SPACES AND LARGE PLACES

- Fourteen Drawer Depths
- Pick-up Base Standard On All Cabinets
- Hundreds of Interior Drawer Layouts

Five Housing Heights:



Two Housing Widths:



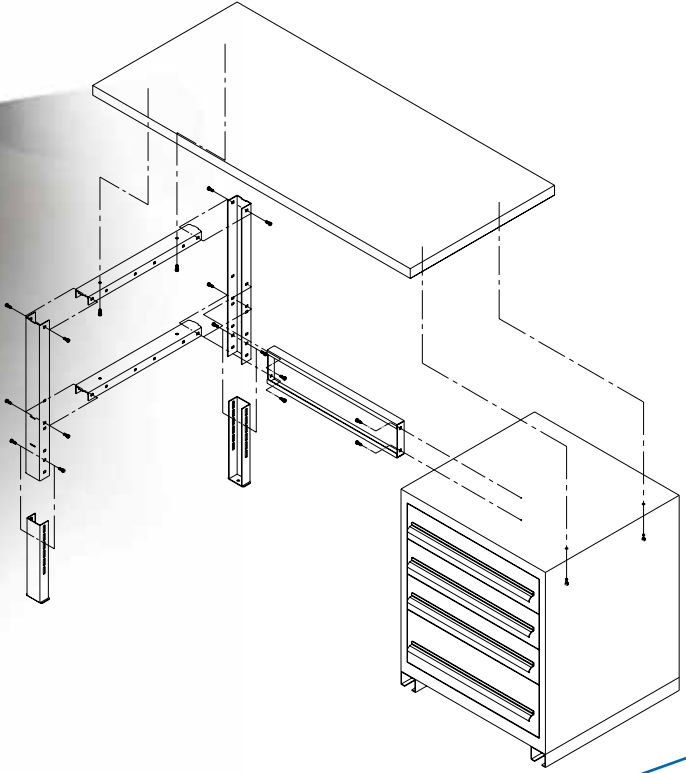
MODULAR WORKSTATIONS

Rack Engineering Division's modular workstations provide custom solutions to standard configurations. Choose from a large variety of standard components to create a workstation that fits your specific needs.





Coupled with our modular drawer cabinets, Rack Engineering Division's modular workstations provide endless production/storage configurations.



MODULAR WORKSTATIONS

WORKSTATION OPTIONS

Adjustable Riser



ADJUSTABLE RISER
(12"D X 16"-22"H)

Adjustable on 2" increments. Also top available in plastic laminate and maple

	Length
AR-48	48"
AR-60	60"
AR-72	72"
AR-84	84"
AR-96	96"

Create a workstation right for you by choosing the options below. Transfer the part numbers to your Workstation Worksheet on page 22.

RISER BACK STOP (2" H)

	Length
RES-48	48"
RES-60	60"
RES-72	72"
RES-84	84"
RES-96	96"

FLOURESCENT LIGHTS (2 bulb with cord and cover)

	Length
FL-24	24"
FL-48	48"

RISER BACK PANEL

	Length
RP-14	48"
RP-18	60"
RP-20	72"
RP-22	84"
RP-24	96"

H-Style Leg



H-STYLE LEG

Part #	Adj. Leg Height
AHL-28-38-1X	28"-33"
AHL-28-38-2X	33"-38"

For a panel on leg, use P where the X is.

HANGING DRAWER

Part #	Usable Height	Width	Depth
HD-2.5-26	2 1/2"	26"	18"
HD-4-20	4"	20"	18"

KEYBOARD SHELF

KS-12-20	20"	12"
----------	-----	-----

STATIONARY BENCH SHELF

	Depth
SBS-48	18"
SBS-60	18"
SBS-72	18"
SBS-84	18"
SBS-96	18"

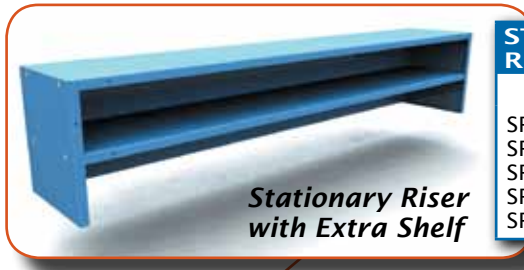
STRINGER/FOOTREST

	Depth
FSR-48	6"
FSR-60	6"
FSR-72	6"
FSR-84	6"
FSR-96	6"



Hanging Drawer

MODULAR WORKSTATIONS



STATIONARY RISER (12"D x 14"H)	
	Length
SR-48	48"
SR-60	60"
SR-72	72"
SR-84	84"
SR-96	96"

RISER SHELF (all shelves: 12" D)	
	Length
RS-48	48"
RS-60	60"
RS-72	72"
RS-84	84"
RS-96	96"

RISER END STOP (2" H)
RES-12

OUTLET STRIPS			
Available in 15 amp or 20 amp. Comes with lighted switch, 6' cord with ground plug and circuit breaker (15' cord also available)			
Part #	Descrip	Outlets	Length
OS12-15-6	15 amp	6	12"
OS13-20-6	20 amp	6	13"
OS24-15-8	15 amp	8	24"
OS48-15-8	15 amp	8	48"

OUTLET BOX	
OB-2	2 outlets
OB-4	4 outlets

TOP END STOP (2" H)	
	Length
TES-24	24"
TES-28	28"
TES-30	30"
TES-34	34"
TES-36	36"

TOP BACK STOP (2" H)	
	Length
TBS-48	48"
TBS-60	60"
TBS-72	72"
TBS-84	84"
TBS-96	96"

PRIVACY PANEL	
	Length
PP-48	48"
PP-60	60"
PP-72	72"
PP-84	84"
PP-96	96"

OTHER STANDARD OPTIONS AVAILABLE:

- Peg Board for Riser
- Cork Board for Riser
- Plexi-glass (Lexan)
- Drawer Liners

SEE SPECIALTY PRODUCTS SECTION, page 00, FOR NON-STANDARD SAMPLES



MODULAR WORKSTATIONS

WORKSTATION WORKSHEET

MODULAR WORKSTATIONS

TOP OPTIONS		
TOP	QTY.	MODEL NUMBER
Laminated Maple		
Shop		
12 gauge Steel -----paint -----galv.		
Plastic Laminate Series:-----		
Stainless Steel		
UHMW		
Static Dissipative (ESD)		
Other:		

BENCH LEG		
LEG	QTY.	MODEL NUMBER
Open		
Panel		

RISER		
	QTY.	MODEL NUMBER
With a back		
Without a back		
Stop on back of riser		
Stops on sides of riser		
Adjustable shelves (not including top)		
Stationary shelves (not including top)		
Electrical outlet strip		# of outlets: ----
Flourescent light		
Additional Item(s):		

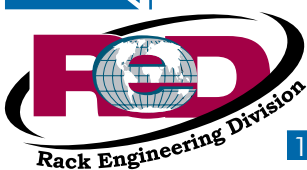
CABINET		
	QTY.	MODEL NUMBER
UltraLine Workbench Series		UL-BL----- UL-CL-----
Configure your own cabinet, see page 17		

MISC		
	QTY.	PART NUMBER
Stringer		
Hanging Drawer		

TOP OPTIONS		
APPLICATION	DESCRIPTION	TOP
Heavy Duty	1 3/4" thick - Hardwood welded maple work surface	Laminated Maple =M
Heavy Duty	1 3/4" thick - Top and bottom are 3/8" super hard 60 lb. density, phenolic resincore, sealed with vinyl sealer. The core is edge glued lumber with hardwood bands.	Shop Top =ST
Heavy Duty	1 3/4" thick - Formed 12 ga. steel top	12 ga. Steel =S
Light Duty	1 3/4" thick - Top and sides are high pressure plastic laminate over industrial grade particle board.	Plastic Laminate Color Options: Gray Linen Gray White Leather Putty White Almond =P
Medical or Sterile Environment	1 3/4" thick - Formed stainless steel over wood top.	Stainless Steel =SS
High Impact	1/4" thick - Ultra-high molecular weight polyethylene over wood or steel top.	UHMW =U
Electrical	1 3/4" thick - Top and sides are a static dissipating laminate over industrial grade particle board. 180 degree full wrap on front edge.	Static Dissipative (ESD) Color Options: White Almond Gray =SD

Available Depths: 28", 30", 34", 36"
 Available Widths: 48", 60", 72", 84", 96", 120"
 Top Thickness: 1 3/4"
 * Other sizes are available upon request

Top Option Part Number Example: **M - 28 - 48**



Loc-Rite

INVENTORY
MANAGEMENT
SYSTEM

by Rack Engineering Division

The Rite Way To Manage Inventory

SECURE
CONTROL
MANAGE
TRACK

INVENTORY



- Manages inventory levels
- Computer controlled drawer access for management and security
- Provides suggested inventory levels based on real history
- Provides detailed inventory transaction information

- Flexible configurations to meet your needs
- Hardware independent solution

CARTS, RACKING, CABINETS

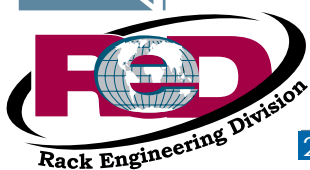
1.9" Diameter Gravity Roller

Model No.	Between frame Measurement	WLL (lbs.)	Weight (lbs.)
26257-12	12"	269	2.28
26257-13	13"	269	2.44
26257-14	14"	268	2.59
26257-15	15"	268	2.75
26257-16	16"	268	2.91
26257-19	19"	268	3.37
26257-20	20"	268	3.53
26257-21	21"	268	3.69
26257-22	22"	268	3.84
26257-23	23"	268	4
26257-24	24"	267	4.16
26257-25	25"	267	4.31
26257-26	26"	267	4.47
26257-27	27"	267	4.63
26257-28	28"	267	4.78
26257-30	30"	267	5.1
26257-32	32"	267	5.41
26257-33	33"	266	5.57
26257-36	36"	266	6.04
26257-37	37"	266	6.19
26257-38	38"	266	6.35

2.5" Diameter Gravity Roller

Model No.	Between frame Measurement	WLL (lbs.)	Weight (lbs.)
40978-13	13"	647	6.15
40978-14	14"	647	6.52
40978-15	15"	646	6.89
40978-18	18"	646	8.00
40978-19	19"	645	8.37
40978-20	20"	645	8.74
40978-21	21"	645	9.12
40978-22	22"	645	9.49
40978-24	24"	644	10.23
40978-25	25"	644	10.60
40978-26	26"	644	10.97
40978-27	27"	643	11.34
40978-31	31"	642	12.82
40978-32	32"	642	13.19
40978-37	37"	641	15.05
40978-38	38"	640	15.42

STAINLESS STEEL PRODUCTS



STAINLESS STEEL PRODUCTS

Choose stainless steel for any of these high-quality Rack Engineering products:

- Pallet Rack
- High Capacity Stationary Die Rack
- Shelving
- Modular Drawer Cabinets
- Carts
- Specialty Storage

Stainless steel is the ideal choice for many industries:

- Bio-Tech
- Pharmaceutical
- Food Handling
- Pulp & Paper Mill
- Agriculture
- Marine
- Industrial
- Automotive

Excellent for the following applications:

- Washdown
- Storage
- Food Handling
- Elevated Temperature
- High Humidity
- Corrosive
- Production

Several materials available as standard:

- Sheet
- Plate
- *Non-standard materials available per customer specifications.*
- Structural
- Tubing

Two standard grades:

- 304 Stainless Steel
- 316 Stainless Steel
- *Non-standard grades available per customer specifications.*

Four standard finishes:

- #2B (mill)
- #4 (polished)
- Sand Blasted
- Glass Bead Blasted
- *Non-standard finishes available per customer specifications.*



CARTS, RACKING, CABINETS

Stainless steel equipment from Rack Engineering Division provides years of durable and reliable service while attractively withstanding the rigors of industrial use. It is the perfect choice for many applications. Complete this worksheet to help determine if stainless steel is right for your application.

Why does the equipment have to be built from stainless steel? (food handling, washdown, environment, aesthetics, etc.)

What is the application?

Are there any special design requirements for the application? (continuous welds, perforations, sanitary, etc. . .)

What grade of material is required? (316, 304, etc. . .)

What type of finish is required? (2b, #4, mill, polished, bead blasted, etc. . .)

What industry is the product for? (bio-tech, industrial, pharmaceutical, etc. . .)

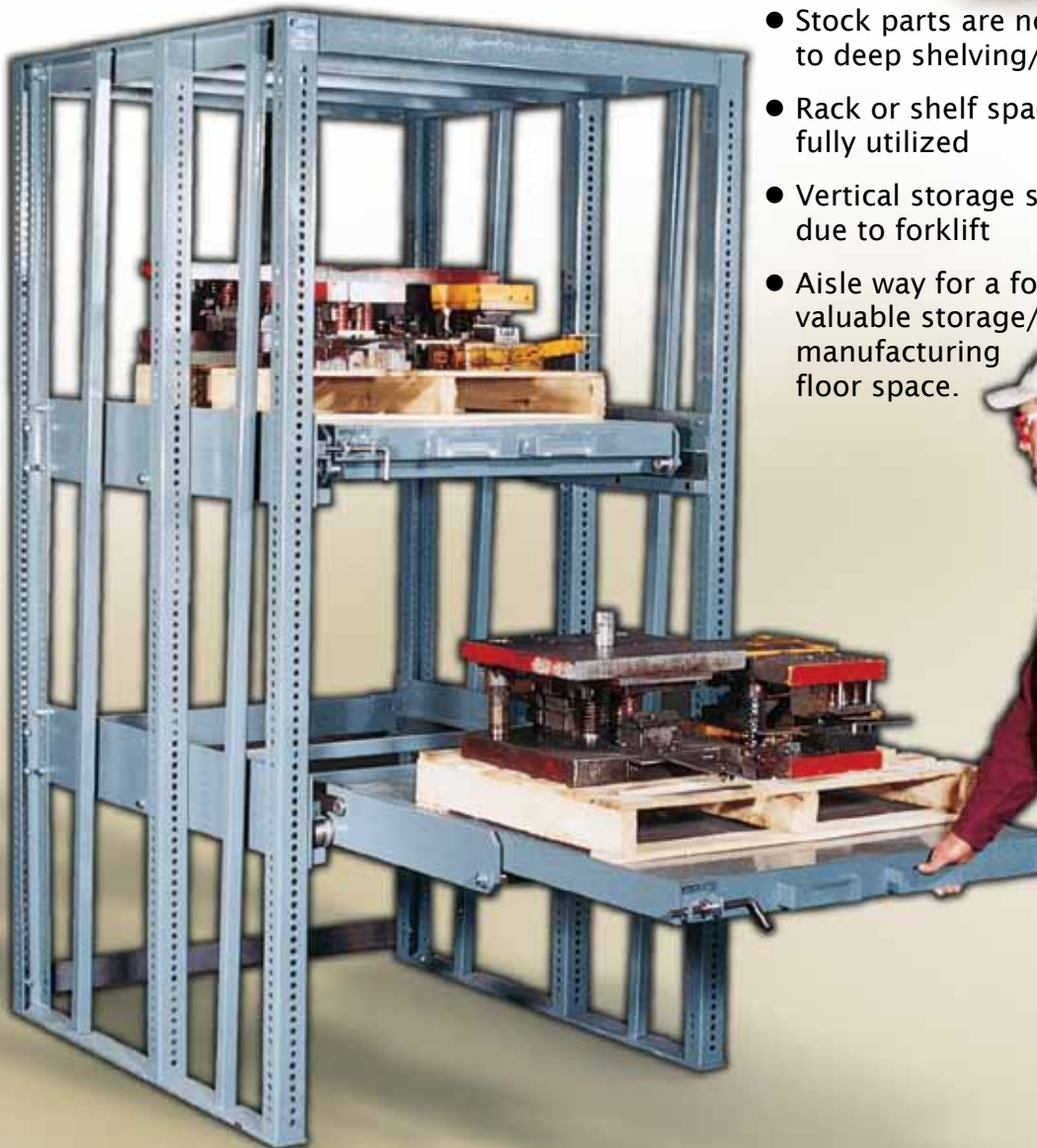


STAINLESS STEEL PRODUCTS

GLIDE-OUT 100

WHEN DO YOU NEED A GLIDE-OUT?

- Floor space is too restricted to access racking with forklift
- Workers are leaning too far into existing shelving to hand pick heavy items
- Machine down time is excessive between die/tool changes
- Tooling, dies or material is too valuable to handle with forklift



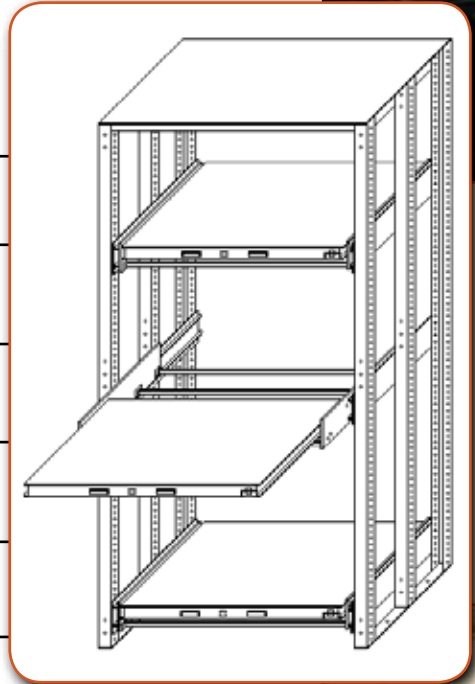
- Stock parts are not visible due to deep shelving/racking
- Rack or shelf space is not being fully utilized
- Vertical storage space is wasted due to forklift
- Aisle way for a forklift takes up valuable storage/manufacturing floor space.



GLIDE-OUT 100

PRODUCTION STORAGE SYSTEMS

INDUSTRY	APPLICATION
AUTOMOTIVE	Stamping dies, test motors, assembly components, tool crib components
AIRCRAFT	Turbine components, engine components, dies
ENERGY	Valves, pumps, hydraulic pumps, production tooling, compressor parts, precision drill heads, breaker boxes
PLUMBING & HEATING	Generators, valves, pumps, fans
PHARMACEUTICAL	Pumps, valves
CHEMICAL	Paints, coatings, fluids, cylinder gas, adhesives
PLASTICS	Injection molds, castings
TOOL & DIE	Machine parts, heavy tooling
STEEL FABRICATION	Specialty metals, pressbrake tooling, coil storage
PRINTING	Printing plates, printing cylinders



GLIDE-OUT 100

CAN YOU AFFORD **NOT** TO HAVE A GLIDE-OUT?

SAVE. . . . **MACHINE DOWN TIME** by placing a glide-out next to production machinery

. . . **MAN HOURS** by eliminating a forklift driver in die, mold or tooling change over

. . . **AISLE WAY SPACE** by eliminating needed forklift turning radius used in stationary racking

. . . **MANUFACTURING FLOOR SPACE** by utilizing vertical space with a multi-level glide-out

. . . **EMPLOYEES FROM INJURY** by reducing the need for bending or extracting heavy items from stationary shelves



SEE FULL GLIDE-OUT JUSTIFICATION AND WORKSHEET AT
www.rack-eng/ glidejustif.com



GLIDE-OUT 100

Safety and ergonomics are extremely important. We designed the Glide-Out 100 utilizing ergonomic research provided by "People At Work - Volume 1", to meet or exceed safety and ergonomic standards.

Rack Engineering Division's Glide-Out 100 can solve even the most unique production storage problems with ergonomics and safety in mind.

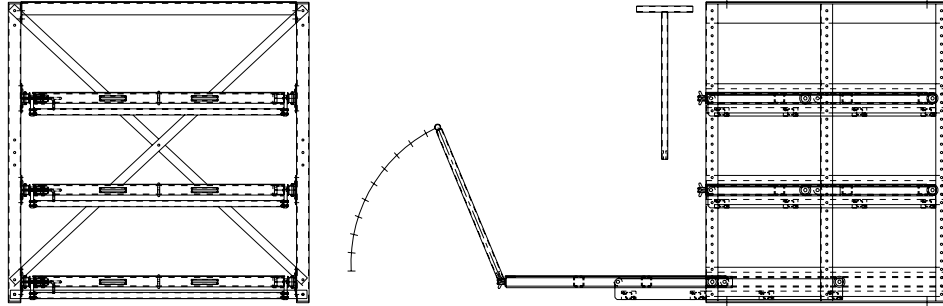


Utilizing an overhead crane or hoist capitalizes on the ergonomic benefits of a Glide-out 100



Adjustable height to accommodate a larger range of workers

GLIDE-OUT 100



Shelves designed for uniform load

Cantilevered shelf/carriage system allows for a push/pull far less than ergonomic standard require

Ergonomically correct design for people at work

Ergonomically correct pull handles attached to the front of every shelf

GLIDE-OUT 100

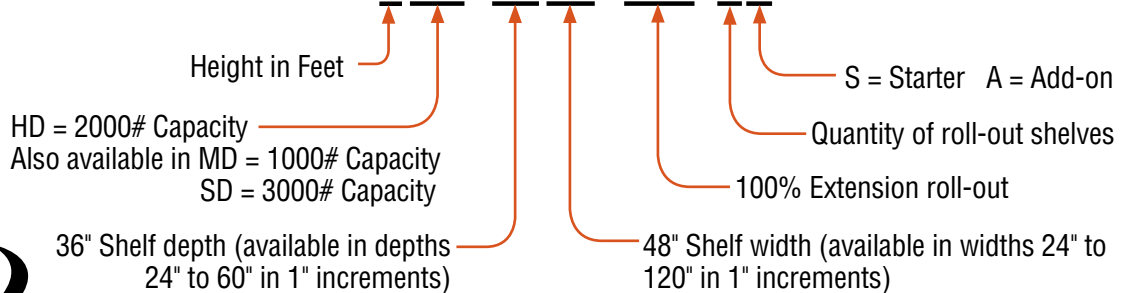
COMMON CONFIGURATIONS

*1000# CAPACITY	*2000# CAPACITY	*3000# CAPACITY
4MD24-100-2 4MD2436-100-2 4MD36-100-2 4MD3648-100-2 4MD4248-100-2 4MD48-100-2 4MD4860-100-2 4MD60-100-2 4MD6072-100-2	4HD24-100-2 4HD2436-100-2 4HD36-100-2 4HD3648-100-2 4HD4248-100-2 4HD48-100-2 4HD4860-100-2 4HD60-100-2 4HD6072-100-2	4SD24-100-2 4SD2436-100-2 4SD36-100-2 4SD3648-100-2 4SD4248-100-2 4SD48-100-2 4SD4860-100-2 4SD60-100-2 4SD6072-100-2
5MD24-100-3 5MD2436-100-3 5MD36-100-3 5MD3648-100-3 5MD4248-100-3 5MD48-100-3 5MD4860-100-3 5MD60-100-3 5MD6072-100-3	5HD24-100-3 5HD2436-100-3 5HD36-100-3 5HD3648-100-3 5HD4248-100-3 5HD48-100-3 5HD4860-100-3 5HD60-100-3 5HD6072-100-3	5SD24-100-3 5SD2436-100-3 5SD36-100-2 5SD3648-100-3 5SD4248-100-3 5SD48-100-3 5SD4860-100-3 5SD60-100-3 4SD6072-100-3
6MD24-100-3 6MD2436-100-3 6MD36-100-3 6MD3648-100-3 6MD4248-100-3 6MD48-100-3 6MD4860-100-3 6MD60-100-3 6MD6072-100-3	6HD24-100-3 6HD2436-100-3 6HD36-100-3 6HD3648-100-3 6HD4248-100-3 6HD48-100-3 6HD4860-100-3 6HD60-100-3 6HD6072-100-3	6SD24-100-3 6SD2436-100-3 6SD36-100-3 5SD3648-100-3 6SD4248-100-3 6SD48-100-3 6SD4860-100-3 6SD60-100-3 6SD6072-100-3
7MD24-100-4 7MD2436-100-4 7MD36-100-4 7MD3648-100-4 7MD4248-100-4 7MD48-100-4 7MD4860-100-4 7MD60-100-4 7MD6072-100-4	7HD24-100-4 7HD2436-100-4 7HD36-100-4 7HD3648-100-4 7HD4248-100-4 7HD48-100-4 7HD4860-100-4 7HD60-100-4 7HD6072-100-4	7SD24-100-4 7SD2436-100-4 7SD36-100-4 6SD3648-100-4 7SD4248-100-4 7SD48-100-4 7SD4860-100-4 7SD60-100-4 7SD6072-100-4

*add-on units available

GLIDE-OUT PART NUMBER EXAMPLE:

5 HD - 3648 - 100 - 3 S



GLIDE-OUT 100 WORKSHEET

Company Name _____ Date _____

PRODUCT DESCRIPTION	GLIDE-OUT 100 DESCRIPTION
Depth _____	Shelf Depth _____
Width _____	Shelf Width _____
Height _____	Shelf Capacity _____
Weight _____	Clearance Needed (between shelves) _____
	Shelf Qty. _____

Shelves designed for uniform load.

BUILDING REQUIREMENTS	GLIDE-OUT 100 MODEL NUMBER		
Floor Space Available _____	Model # _____	Starter QTY _____	Add-on QTY _____
Ceiling Height _____	See Example of Model Number on opposite page		
Height Below Hook _____			

Special Instructions:

Notes:

Options Available:

- Enclosed back
- Enclosed sides
- Doors
- Shelf lips
- UHMW on shelves
- Custom sizes
- Custom colors
- Custom shelf fixtures
- Auto Lok safety feature allows only one shelf to open at a time
- Rear loadable
- Bi-directional

CRANK-OUT/GLIDE-OUT

Ideal for items that exceed Glide-Out 100 Storage System weight capacities.

Heavy Duty Shelves

Shelves are of all-welded construction with a standard 10 ga. steel deck. Shelves extend up to 75% with a large 5,000 lb. load capacity. Special surfaces are available.

Various Sizes Available

Standard shelf sizes are 36"D x 36"W, 36"D x 48"W, 48"D x 48"W and 48"D x 36"W with standard rack heights of 5 ft. through 10 ft. in 1 ft. increments. Shelves can be cranked from either the right or left side.

Custom Specifications

Many special units are available with different heights and shelf sizes. Sides, backs, lifting rings and forklift pick-up bases are also available.



CRANK-OUT GLIDE-OUT WORKSHEET

Company Name _____ Date _____

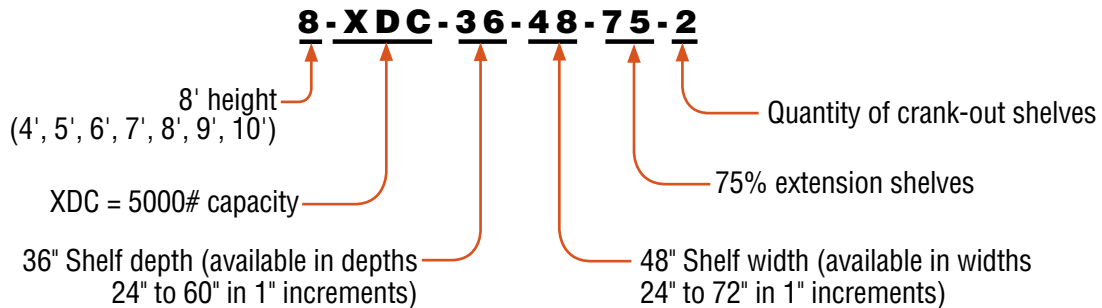
PRODUCT DESCRIPTION	GLIDE-OUT 100 DESCRIPTION
Depth _____	Shelf Depth _____
Width _____	Shelf Width _____
Height _____	Shelf Capacity _____
Weight _____	Clearance Needed (between shelves) _____
	Shelf Qty. _____

BUILDING REQUIREMENTS	GLIDE-OUT 100 MODEL NUMBER	
Floor Space Available _____	Model #	Quantity
Ceiling _____	See Example of Model Number on opposite page	
Height _____		
Height Below Hook _____		

Special Instructions:

Notes:

CRANK-OUT GLIDE-OUT MODEL NUMBER EXAMPLE:



SHEETMASTER 100/ FOLDING SHEETMASTER

Perfect for fixture and sheet metal storage.

Applications

Ideal for use with vacuum lifts, hoists, sheet lifts, magnets and forklifts.

Heavy Duty Shelves

Shelves are of all-welded construction. Steel decking is optional. Shelves extend a full 100% with a 5,500 lb. load, on (4) roller bearings.

Various Sizes Available

Standard shelf sizes are 48"D x 96"W, 48"D x 120"W, 60"D x 120"W, 60"D x 144"W and 72"D x 144"W with a standard rack height of 7 ft. Units with 4 - 8 shelves have clearances ranging from 5 15/16 in. - 15 in.

Model Number	Appx. * Weight-lbs.	Overall Height "H" **	Width	Depth	Weight Capacity
STD-36	110	35-1/8"	30"	27-3/4"	2000
STD-50	125	46-1/8"	30"	27-3/4"	2500
STD-69	155	61-1/8"	30"	27-3/4"	4000



FOLDING SHEETMASTER



Retain your aisle way with the same Sheetmaster 100 benefits. Standard 5,500 lb. capacity shelves.



SHEETMASTER 100

CAN YOU AFFORD **NOT** TO HAVE A SHEETMASTER?

REDUCE. . . . **MACHINE DOWN TIME** by placing a sheetmaster next to a shear, laser, turret punch or other fabrication machinery

. . . **MAN HOURS** by eliminating a forklift driver when material change over is necessary

. . . **AISLE WAY SPACE** by being able to load and unload a sheetmaster with an overhead crane

. . . **MANUFACTURING FLOOR SPACE** by utilizing vertical space and still gain access to multiple types of sheet material

. . . **INJURIES** caused by man handling heavy sheet products



SEE FULL SHEETMASTER JUSTIFICATION AND WORKSHEET AT
www.rack-eng/sheetmaster.com



SHEETMASTER 100/ FOLDING SHEETMASTER WORKSHEET

Company Name _____ Date _____

PRODUCT DESCRIPTION

SHEETMASTER/FOLDING SHEETMASTER DESCRIPTION

Depth _____

Shelf Depth _____

Width _____

Shelf Width _____

Height _____

Shelf Capacity _____

Weight _____

Clearance Needed (between shelves) _____

Shelf Qty. _____

BUILDING REQUIREMENTS

SHEETMASTER/FOLDING SHEETMASTER MODEL NUMBER

Floor Space Available _____

Model #

Quantity

Ceiling Height _____

Height Below Hook _____

See Example of Model Number on opposite page

Special Circumstances:

Notes:

CRANK-OUT CANTILEVER

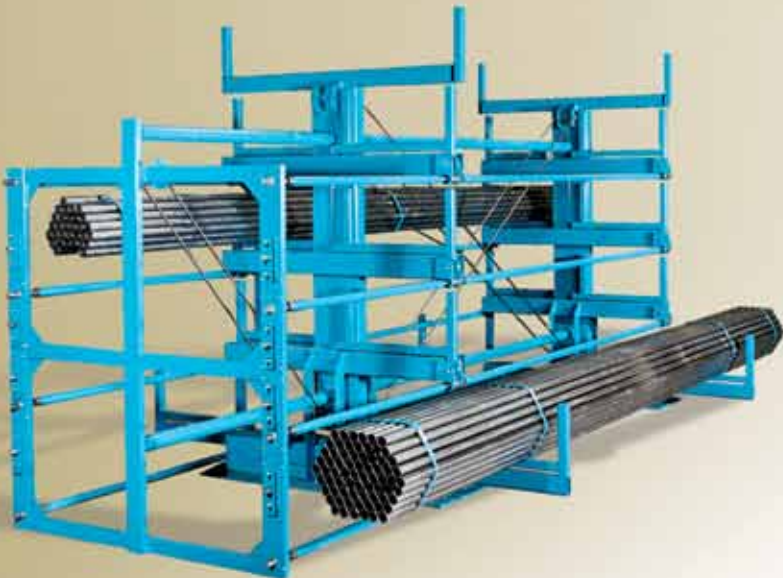
Excellent for storing heavy barstock, tube, pipe, extrusions, etc. The Crank-out Cantilever allows for overhead accessibility by extending its fully loaded arms 100% into the aisle way with an easy turn of a crank.



**SEE FULL SHEETMASTER
JUSTIFICATION AND
WORKSHEET AT**
www.rack-eng/sheetmaster.com

CRANK-OUT CANTILEVER

BAR, PIPE, EXTRUSION STORAGE AND RETRIEVAL



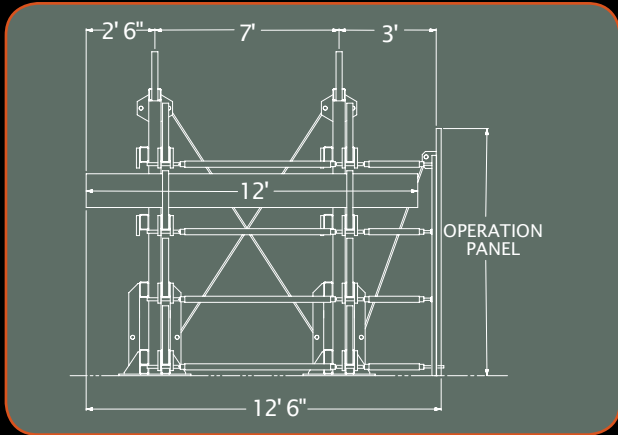
BAR, PIPE, EXTRUSION STORAGE AND RETRIEVAL

CRANK-OUT CANTILEVER

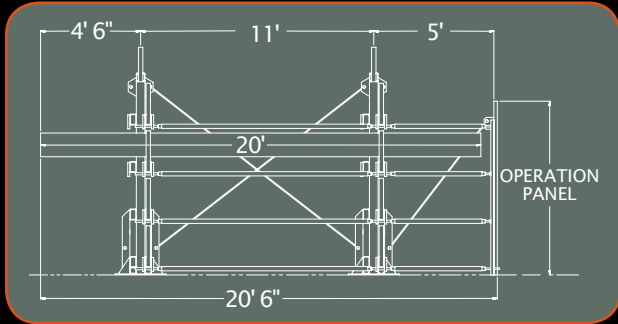
SIDE VIEWS & DIMENSION OPTIONS

FRONT VIEWS & DIMENSION OPTIONS

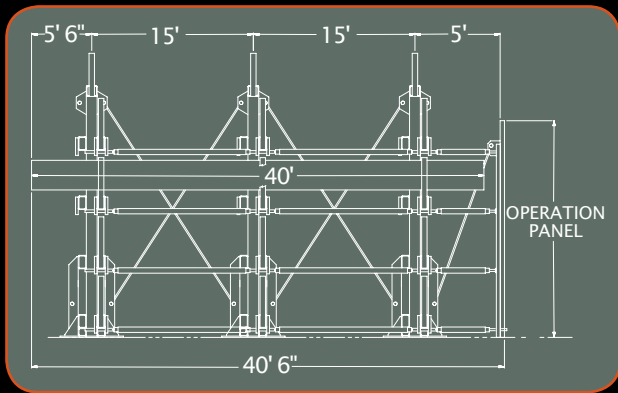
Spacings for Standard Stock Lengths*



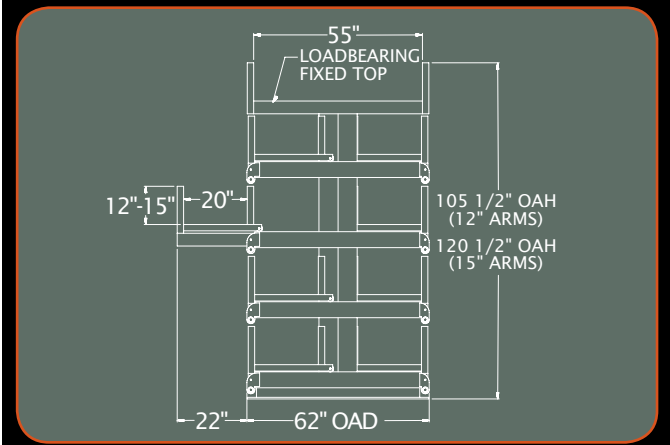
(2) UPRIGHT UNIT



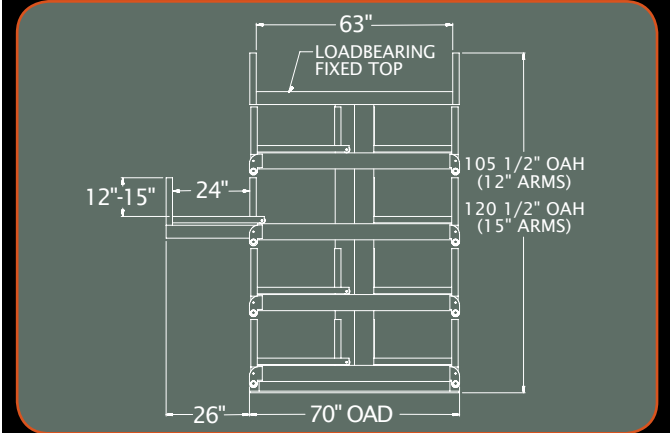
(2) UPRIGHT UNIT



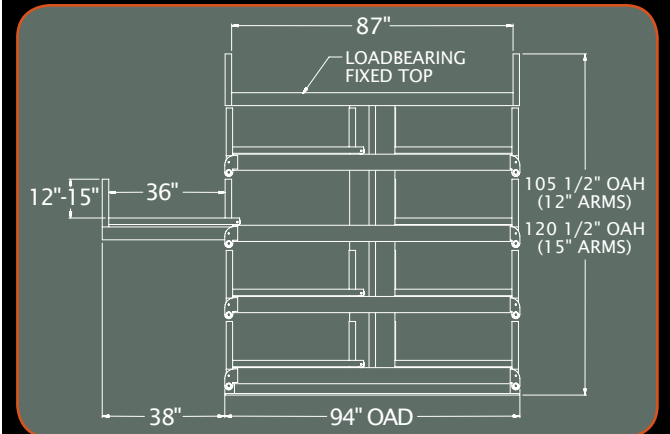
(3) UPRIGHT UNIT



20" DEEP ARM



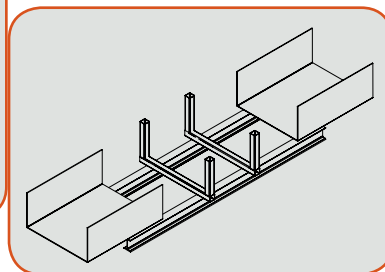
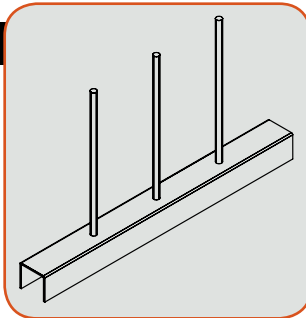
24" DEEP ARM



36" DEEP ARM

ACCESSORIES

Stock Divider
Used to separate various types of stock on the crank-out cantilever arm.



Intermediate Support
Used to store various lengths of stock too short or too weak for standard upright spacing.

CRANK-OUT CANTILEVER WORKSHEET

Company Name _____ Date _____

PRODUCT DESCRIPTION	CRANK-OUT CANTILEVER DESCRIPTION
Length _____	Number of Uprights _____
Width _____	Arm Levels _____
Height _____	Arm Depth _____
Weight _____	Stop Height _____

BUILDING REQUIREMENTS	CRANK-OUT CANTILEVER RACK MODEL NUMBER	
Floor Space Available _____	Model # _____	Starter QTY _____
Ceiling Height _____	See Example of Model Number below	
Height Below Hook _____		

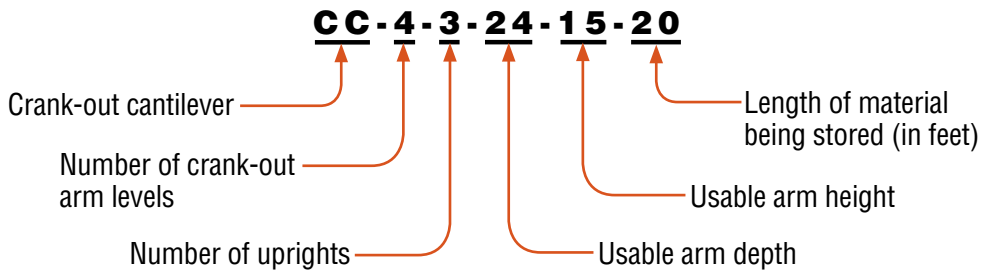
Special Circumstances:

Options Available:

- Stock Dividers (all welded or adjustable)
- Intermediate Support
- UHMW Lined Arms

Notes:

CRANK-OUT CANTILEVER RACK PART NUMBER EXAMPLE:



SPECIALTY PRODUCTS

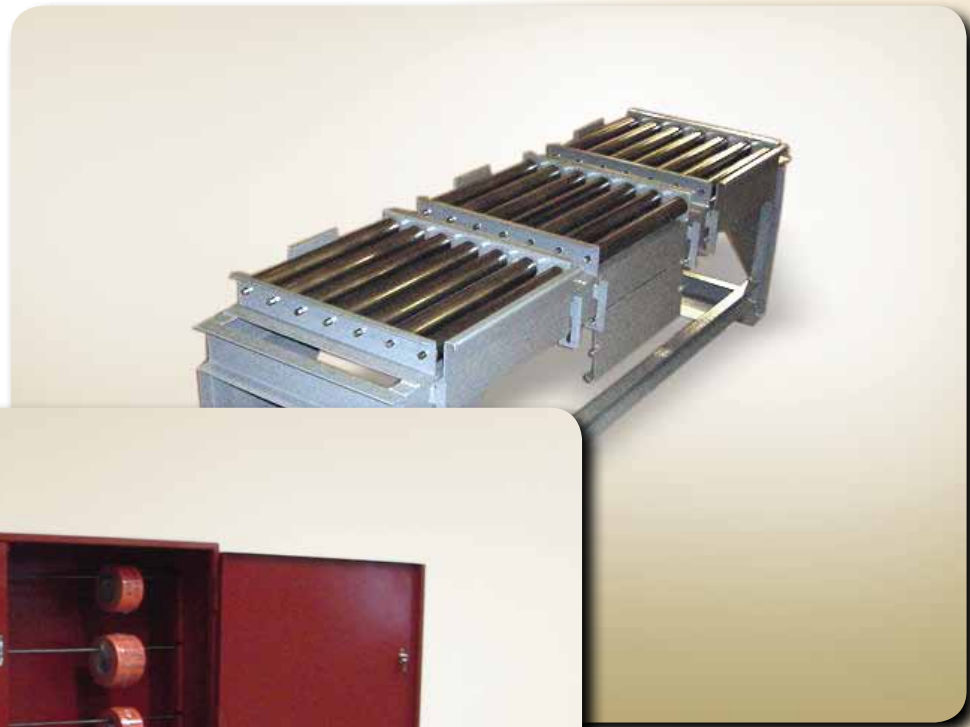


SPECIALTY PRODUCTS



SPECIALTY PRODUCTS

SPECIALTY PRODUCTS



SPECIALTY PRODUCTS

SPECIALTY PRODUCTS



SPECIALTY PRODUCTS

SPECIALTY PRODUCTS



SPECIALTY PRODUCTS

High quality coatings are applied to every product manufactured. Flexibility is not a problem when customer needs require unique painting or coating solutions.

- Powder Coating
- Fast Drying Acrylic Enamel Paint
- Water-Reducable Industrial Enamel Paint
- Two Part Epoxy Paint
- ZRC®

Standard RACK Engineering colors:



RACK Blue
RAL 5012



RACK Tan
RAL 1015



RACK Green
RAL 6028



RACK Grey
RAL 7045



Safety Blue
RAL 5017



Safety Yellow
RAL 1023

Custom colors also available.

Colors may vary from shown here.